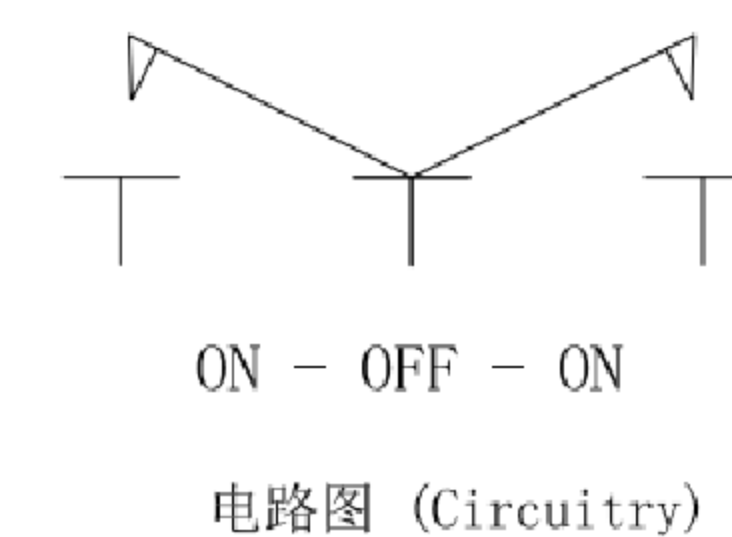


注：Ⓐ-Ⓔ 为重点检验尺寸。

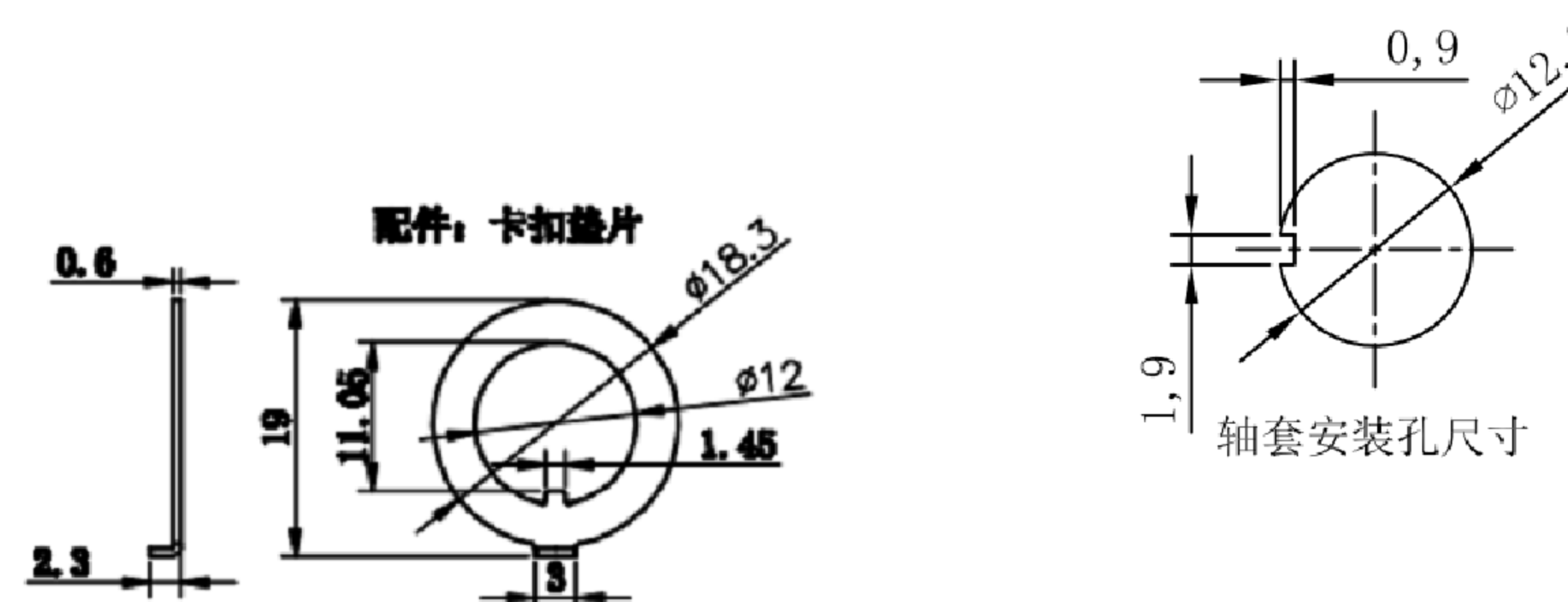


Technical characteristics

SPECIFICATION: 15 A max. @ 125 VAC.
10 A max. @ 250 VAC.
MECHANICAL LIFE: 40,000 make-and-break cycles.
CONTACT RESISTANCE: 50mΩ max. initial @2-4VDC
100mA for both silver.
INSULATION RESISTANCE: 1000 MΩ min.
DIELECTRIC STRENGTH: 1500 VAC min.
OPERATING TEMPERATURE: -30°C to +85°C.

Materials

CASE: PF (UL 94V-0)
HOUSING: SPCC.
ACTUATOR: Alloy, nickel plated.
BUSHING: Alloy, nickel plated.
CONTACT/TERMINALS: Copper alloy silver plated.
RoHS

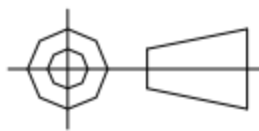


东莞市高迪电子有限公司
DONG GUAN GAO DI ELECTRONICS CO., LTD

TOLERANCE UNLESS OTHERWISE STATED:

Up to 5 ±0.2
Above 5 ~ 15 ±0.3
Above 15 ~ 30 ±0.4
Above 30 ~ 50 ±0.5
Angle ±0.3°

3RD. ANGEL'S



UNITS

MM

DRAWN BY: Ming Ming Zou
DATE: 07/23/13
CHECKED BY: Ning Ning Su
DATE: 07/23/13
APPROVED BY: Jia Xiang
DATE: 07/23/13

MAT'L
FINISH
SCALE: 1:1
SHEET NO. 1 of 1

TITLE: Large toggle switch
MODLE: Large toggle switch
DWG NO.: GD-KN3-C-103-AP-RS
PART NO.:

SIZE: A4
VER: R2

ITEM NO.	DESCRIPTION	DRAWN	DATE
2	公差及料號更新	Jack	072313
1	圖面更新	Frank Wu	021012